

Product Installation guide

IP20



For Indoor use only



DON'T TOUCH THE LED!



25°C

RECOMMENDED ROOM TEMPERATURE



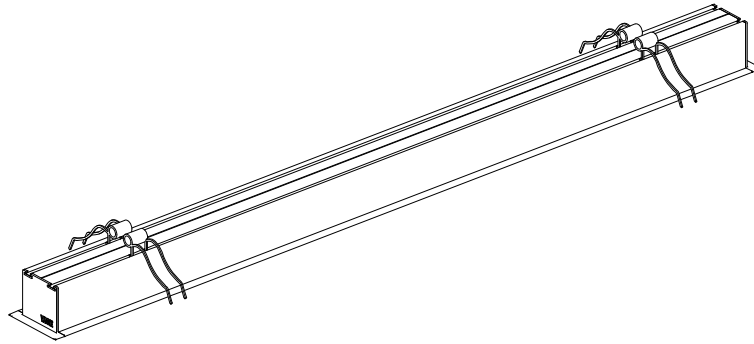
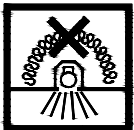
MAKE SURE THE POWER IS OFF DURING INSTALLATION



120-277V~
50/60 Hz



RISK OF FIRE AND ELECTRICAL SHOCK



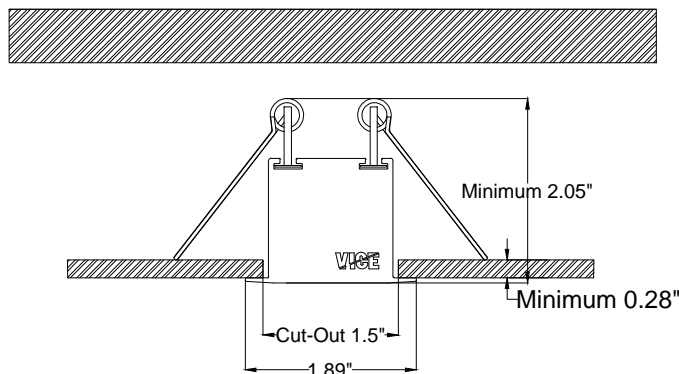
INSTALLATION INSTRUCTIONS

DISCLAIMER

Please read all instructions before beginning installation:

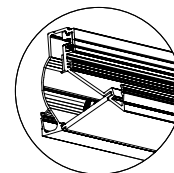
1. Turn off electrical power before starting the installation of the light fixture.
2. The feeding voltage must not exceed the specified fixture voltage.
3. This product must be installed by an eligible electrician.
4. Make sure the luminaire is mounted to a secure structure. Mounting the fixture in inappropriate way could lead to serious injury.
5. This luminaire is class 1, it must be earthed in a reliable way.
6. The light source of this luminaire shall only be replaced by the manufacturer, his service agent or a similar qualified person.
7. Wear gloves and safety glasses at all times when removing the luminaire from carton, installing, servicing or performing maintenance
8. Do not install damaged product! This luminaire is properly packed to avoid being damaged during transit. Inspect to confirm before installation. Any damaged or broken part during or after assembly should be replaced.
9. Unauthorized repairs or modifications will void warranty.

Section View:

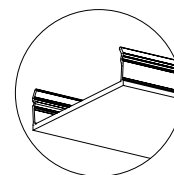


Dimensions in inch

Applicable optics:



1. CutOff Washer

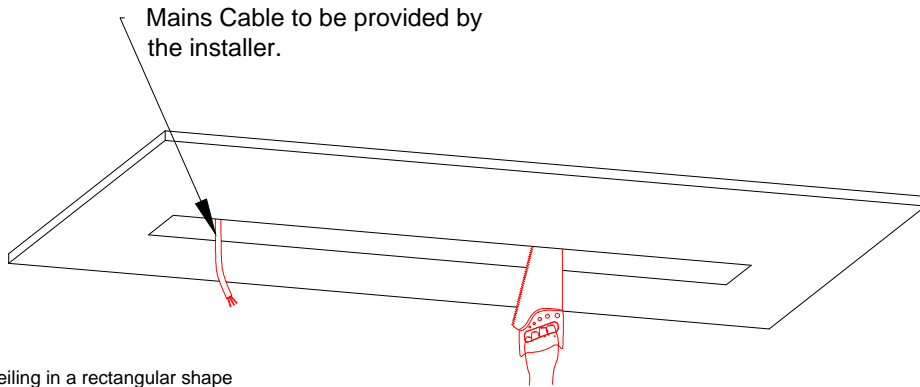


2. Opal & Prismatic

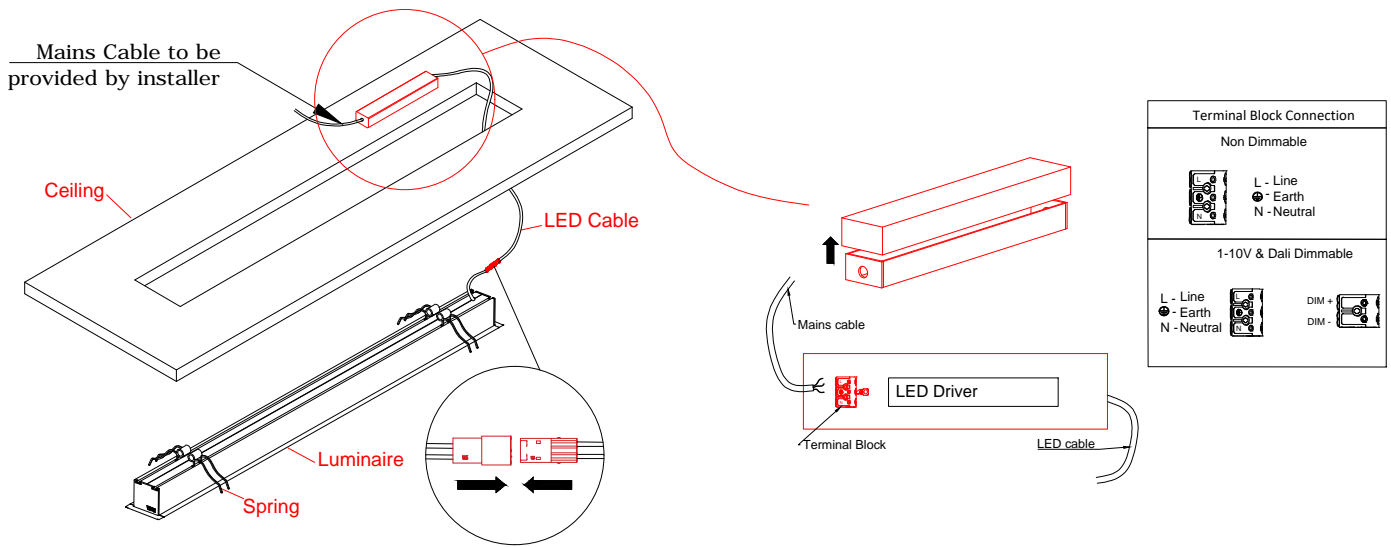
LIGHTWAY 3 - RECESSED WITH TRIM

Product Installation guide

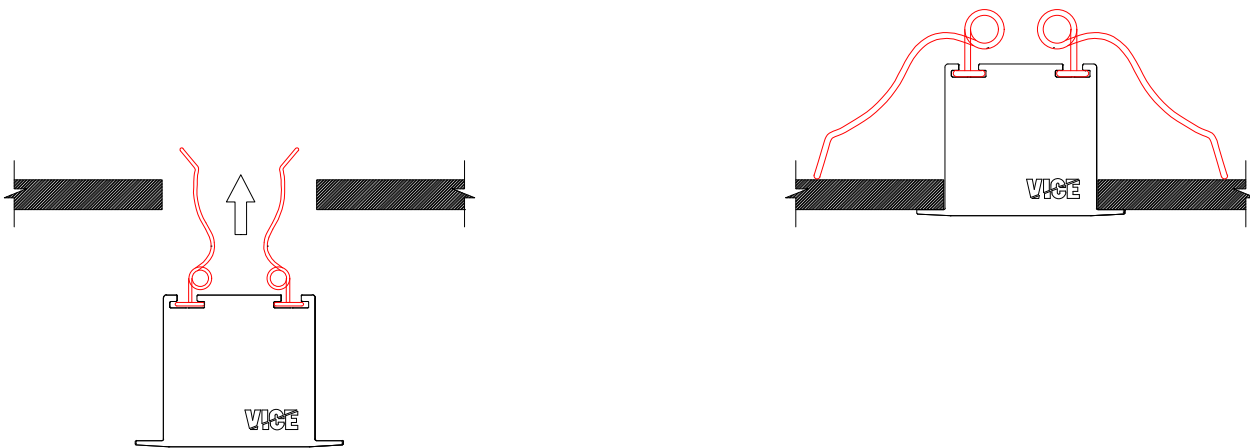
Preparing the area



- 1 • Cut the Ceiling in a rectangular shape respecting the Cut-Out Dimensions(L x 1.5 ").
- Make sure to have access to the cable.

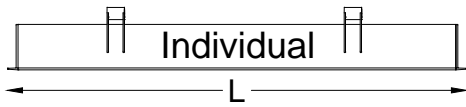


- 2 Join the LED connectors together.
- 3 • Open the driver Box.
- Connect the mains cable to the terminal block.
- Re-close the Box and put it in the right place.

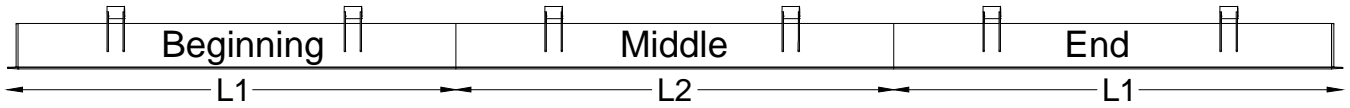


- 4 Hold Back the spring and lift the luminaire to install it in the ceiling
- 5 Make sure the luminaire is well fixed.

Annexe A



*Code Example:
 L3 I RW ----- | 48 I (Individual)
 L3 I RW ----- | 48 B (Beginning)
 L3 I RW ----- | 48 M (Middle)
 L3 I RW ----- | 48 E (End)



Opal/Prismatic

CutOff Washer

Length Code*	L (inch) (Two End Caps)	L1 (inch) (One End Cap)	L2 (inch) (No End Cap)
12	12.40	12.03	11.65
24	23.98	23.60	23.23
36	35.55	35.18	34.80
48	47.13	46.75	46.38
60	58.70	58.33	57.95
70	70.31	69.94	69.53
82	81.89	81.52	81.10
93	93.46	93.09	92.68
105	105.04	104.67	104.25
116	116.61	116.24	115.83

Length Code*	L (inch) (Two End Caps)	L1 (inch) (One End Cap)	L2 (inch) (No End Cap)
6	6.77	6.40	6.02
12	12.56	12.19	11.81
24	24.13	23.76	23.39
36	35.71	35.33	34.96
48	47.28	46.91	46.54
60	58.86	58.48	58.11
70	70.47	70.10	69.69
82	82.05	81.67	81.26
93	93.62	93.25	92.83
105	105.20	104.82	104.41
116	116.77	116.40	115.98

*Code Example: L3 I RW AO ----- | 48 -

*Code Example: L3 I RW WO ----- | 48 -

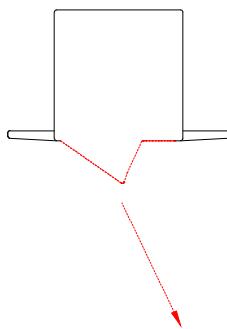


For the continuous make sure not to exceed 600W on a single feeding input.

Annexe B

Asymmetrical optics:

Below section views shows the light direction for the asymmetrical optic.



Light Direction

